



FTX

**COMPACT AND
VERSATILE TO FIT
ON SMALL SWING
GATE POSTS.**

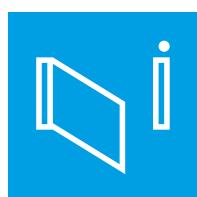
CAME 

[CAME.COM](https://www.came.com)





FTX, designed to fit on small gate posts where space is an issue, is suitable for both intensive use in apartment buildings, and for small residential settings.



FTX

MAIN FEATURES

- Designed to move gates measuring UP TO 2 METERS in length and 200 KG IN WEIGHT.
- TWO DEDICATED VERSIONS to fit on small gate posts.
- DC SYSTEM (24 V) WITH ENCODER, ensures perfect slow-downs management and best performances.
- COLOR-CODED TERMINALS for faster connections and diagnoses.
- MULTIFUNCTIONAL DISPLAY allows easy set up and maintenance.
- USER-FRIENDLY RELEASE LEVER for manually opening the gate.

SLEEK DESIGN



FTX add value to any type of gate.

The arm-driven structure blends in with the gate, while the motor easily fits against any post and provides a broad range of aesthetic and installation solutions.

TWO VERSIONS with dedicated articulated arms, to perfectly fit different distances between the post face and the gate hinge, from 15 cm to 25 cm.



OTHER FEATURES

- **ROLLING CODE AND TWIN RADIO DECODING** up to 250 users.
- **MEMORY ROLL MODULE** to save and load the configuration data and transmitters.
- **DESIGNED FOR CAME Connect TECHNOLOGY**, for remote control and advanced management.
- **EQUIPPED WITH CAME KEY SLOT** for advanced configurations and settings via smartphone or tablet.
- **SELF-DIAGNOSING SAFETY DEVICES.**

For paired leaves, along with the master automation (with built-in electronic board), the slave motor is equipped with an irreversible gear.





THE FTX CONTROL UNIT: NEW DESIGN AND HIGHER EFFICIENCY

The ZL65 control board has been completely overhauled, to speed up the accessories connection and ensure practical troubleshooting.

DESIGNED FOR TOUGH CONTEXTS

RIO SYSTEM

wireless technology is CAME's solution for installing all the control and safety devices through radio connection, with no need for cables.

TRANSPONDER READER AND KEYBOARD

directly connected to control board R800/R700 slot.

ENERGY SAVING MODULE

for low consumption during standby.

SAFETY BATTERY SYSTEM

to guarantee correct functioning during blackouts.





CAME KEY

YOUR NEW WORKING TOOL

The next generation working tool has arrived. No longer are you required to spend time on your knees, in the pouring rain, configuring the control board of the automation system.

CAME KEY is a local Wi-Fi interface that can communicate directly with your control board, allowing you to manage configuration using a smartphone or tablet with no need of an Internet connection.



App SETUP
available on:



Plug CAME KEY into the control board and download the free CAME SET UP App. Connected to your smartphone or tablet, CAME KEY allows:

- Fast configuration and automation.
- Firmware updates.
- Management of transmitters.
- Local and cloud back-up of the configuration and much more!



CAME CONNECT EXPERIENCE NOW THE FUTURE TECHNOLOGY FOR YOUR BUSINESS

CAME  **CONNECT**
CLOUD CONNECTED TECHNOLOGY

CAME CONNECT is the cloud system that allows you to remotely manage the automation system via a mobile device or through a PC with an Internet connection.

Using a "Gateway" device that is locally installed onto the system, the automation will be connected to a CAME certified world wide network accessible through a dedicated user platform.

From intercom to thermoregulation and smart-home systems, from gate automation to barriers and parking systems, all devices will be connected one to each other and will be available on the same device to perform complete diagnostics and fault monitoring.

Thanks to CAME CONNECT, you will grow up your business, offering an efficient and permanent maintenance service, a telephone technical support, and a quick intervention in case of malfunction.

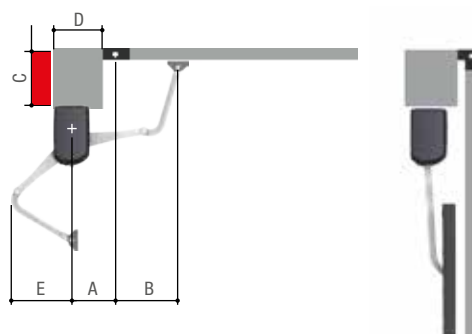
Connecting to the website and logging in as "Professional User", the installer can access many innovative feature:

- Visualize all customers' systems on a map with status indicators (proper functioning / malfunctions detected)
- Monitor the full list of devices connected for each customer with status indicators.
- Configure and control all devices.
- Manage scenarios and schedule operations.
- Check the log history and status.
- Manage scheduled maintenance of each device

Logging in as "Private User", CAME CONNECT is also the perfect solution for the end user that needs to manage remotely all the systems of the house, such as acting on automations, watching the security system images, receiving alerts or forwarding assistance requests to the installer.



THE COMPLETE RANGE



Application dimensions (mm)

MODELS						801MB-0070 · 801MB-0050	801MB-0110 801MB-0120
LEAF OPENING (°)	A	B		D	E	C Max.	C Max.
90	140	420 (490 with item 801XC-0070)		Min. 150	310 (410 with item 801XC-0070)	150 (250 with item 801XC-0070)	250
90	160 ÷ 180	380 (460 with item 801XC-0070)		Min. 150	310 (410 with item 801XC-0070)	150 (250 with item 801XC-0070)	250
110	200 ÷ 220	400 (470 with item 801XC-0070)		Min. 150	310 (410 with item 801XC-0070)	150 (250 with item 801XC-0070)	250

Operational limits

MODELS	801MB-0070				801MB-0050				801MB-0110				801MB-0120			
Max. length of leaf (m)	2	1.7	1.5	1	2	1.7	1.5	1	2	1.7	1.5	1	2	1.7	1.5	1
Max. weight of leaf (kg)	200	225	230	250	200	225	230	250	200	225	230	250	200	225	230	250

Technical characteristics

MODELS	801MB-0070				801MB-0050				801MB-0110				801MB-0120			
Protection rating (IP)	44				44				44				44			
Power supply (V - 50/60 Hz)	230 AC				-				230 AC				-			
Power supply to motor (V)	24 DC				24 DC				24 DC				24 DC			
Absorption (A)	4 Max.				4 Max.				4 Max.				4 Max.			
Power (W)	140				140				140				140			
Maneuvering speed (m/min)	from 20 to 30				from 20 to 30				from 20 to 30				from 20 to 30			
Operating temperature (°C)	-20 ÷ +55				-20 ÷ +55				-20 ÷ +55				-20 ÷ +55			

● 24 V DC

© CAME SPA - KADENHZE18 - 2019 - EN
CAME reserves the right to make any changes to this document, at any time. Even partial reproduction is prohibited.

CAME

CAME S.p.A.
Via Martiri della Libertà, 15
31030 Dosson di Casier
Treviso - ITALY

CAME.COM



We are a leading multinational supplier of integrated high-tech solutions for automating residential, public and urban settings, which generate intelligent spaces for the wellbeing of people.

- GATES AUTOMATION
- INTERCOM SYSTEMS
- BURGLAR ALARM SYSTEMS
- HOME AUTOMATION
- THERMOREGULATION
- BLINDS AND AWNINGS AUTOMATION
- GARAGE AND INDUSTRIAL DOORS
- AUTOMATIC DOORS
- TURNSTILES AND ACCESS CONTROL
- BOLLARDS AND PERIMETER SECURITY
- PARKING SYSTEMS AND ROAD BARRIERS

